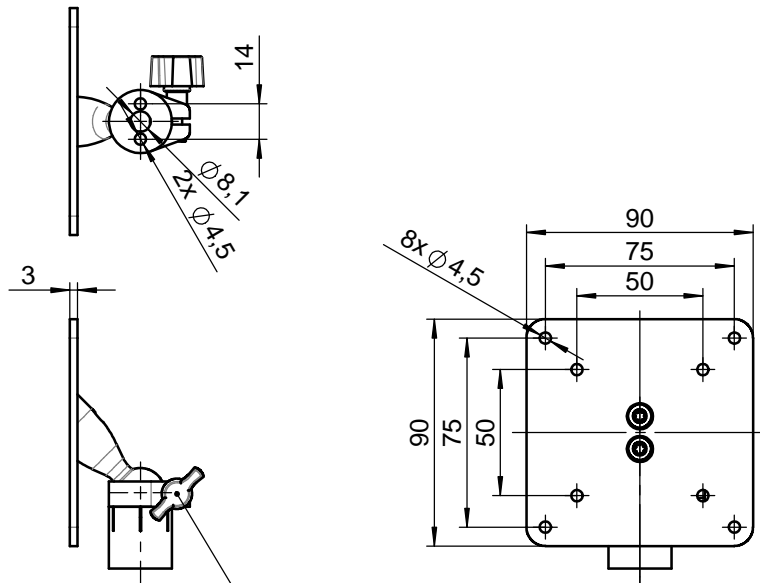


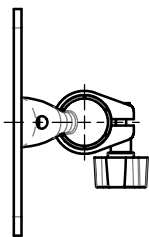
Datasheet: Ballhead Mount 45° with VESA 50-75

Article-No.: H2300 anodized natural
H2301 anodized black

| | |
|----------------------------|---|
| Adjustment range: | tilt $\pm 45^\circ$, rotation 360° |
| Material/s | aluminium (anodized), stainless steel, plastics |
| Color: | anodized natural or black |
| Ball fixation: | with wing screw or socket head screw, both are enclosed |
| Weight: | ca. 130 g |
| Static bearing force: | minimum 60 N (6 kg) |
| Ball's torsional strength: | minimum 8 Nm |



Ball fixation with wing screw possible by hand



Space for fixing screw with screw head height up to 14 mm

